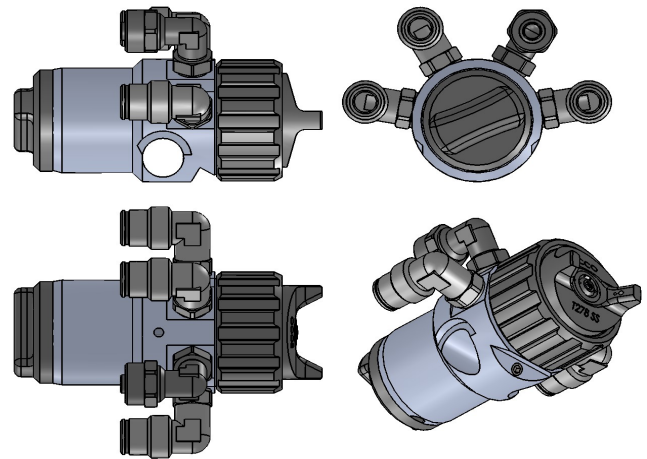


ECCO 51AS - when every gram and cent counts!

In continuation of Ecco Finishing's tradition of highest material and design standards, we are proud to introduce the low weight, all stainless steel automatic spray gun Ecco 51 AS! With a weight of around 300g and a length of 10 cm, it's truly a compact gun. Besides being the most compact and lightest needle operated stainless steel gun ever designed by Ecco, it is also the most cost effective!

The outstanding performance/value ratio is a further sign of Ecco's innovative approach.

Examples of applications: Precision Industry (plastics) and general industry.

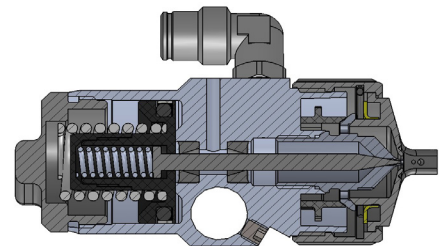


ADVANTAGES WITH ECCO 51AS

- Extremely compact and lightweight
- Ecco's advanced air caps and fluid nozzle design
- Easy to flush and to keep clean
- Easy to install on fixed positions or reciprocators
- Fast and repeatable opening/closing time
- Extended lifetime and lowest spare part consumption in this segment
- Minimal number of components reduce parts inventory

TECHNICAL DATA - ECCO 51AS

Weight	300 g
Size with air cap (excl. connectors)	L=95mm, Ø 41mm
Body	Stainless steel
Nozzle	Stainless steel or Tungsten carbide
Air cap	Aluminium with special surface treatment
Sealings	PE / UHMW



CUSTOMIZED FINISHING AND SEALING SOLUTIONS