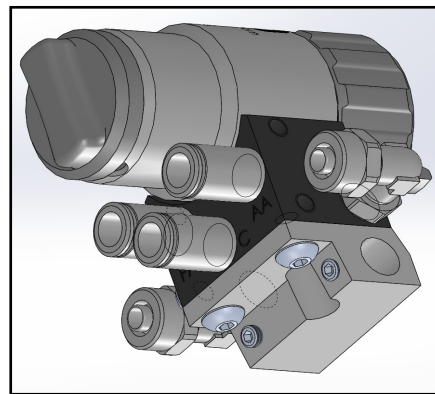
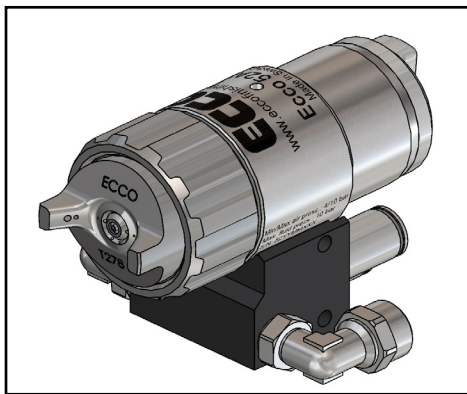


ECCO 52AS - when every gram and cent counts!

Optimizing weight and capacity to its best, while maintaining performance, durability and reliability was the great challenge that led to the new Ecco 52AS. All Stainless Steel Ecco 52AS comes mounted on a high durability solvent resistant plastic base plate allowing quick connection and easy versatile line mounting. With a total weight of only 465g and a length of 10 cm, it's truly a compact high performance gun, at a compact price. The outstanding performance and value is a further sign of Ecco's innovative approach. Examples of applications: Precision Industry (plastics) and general industry.



ECCO 52AS FEATURES

- * Extremely compact and light weight
- * Ecco's advanced air caps and fluid nozzle design
- * Easy to flush and to keep clean
- * Easy to install on fixed positions or reciprocators
- * Fast and repeatable opening/closing time
- * Easy and reliable one screw gun-to-base assembly
- * Base-integrated fluid circulation
- * Extended lifetime and lowest spare part consumption in this segment
- * Minimal number of components reduce parts inventory
- * Available with "Click" or "Micrometric" needle controls

TECHNICAL DATA - ECCO 52AS

Weight: Gun / Mounting plate	355g / 110g
Spray gun diameter (excl. plate)	L=96 mm, H=60,5 mm, Ø=41 mm
Body	Stainless steel
Nozzle	Stainless steel or Tungsten carbide
Air cap	Aluminium with special surface treatment
Sealings	PEHD

CUSTOMIZED FINISHING AND SEALING SOLUTIONS